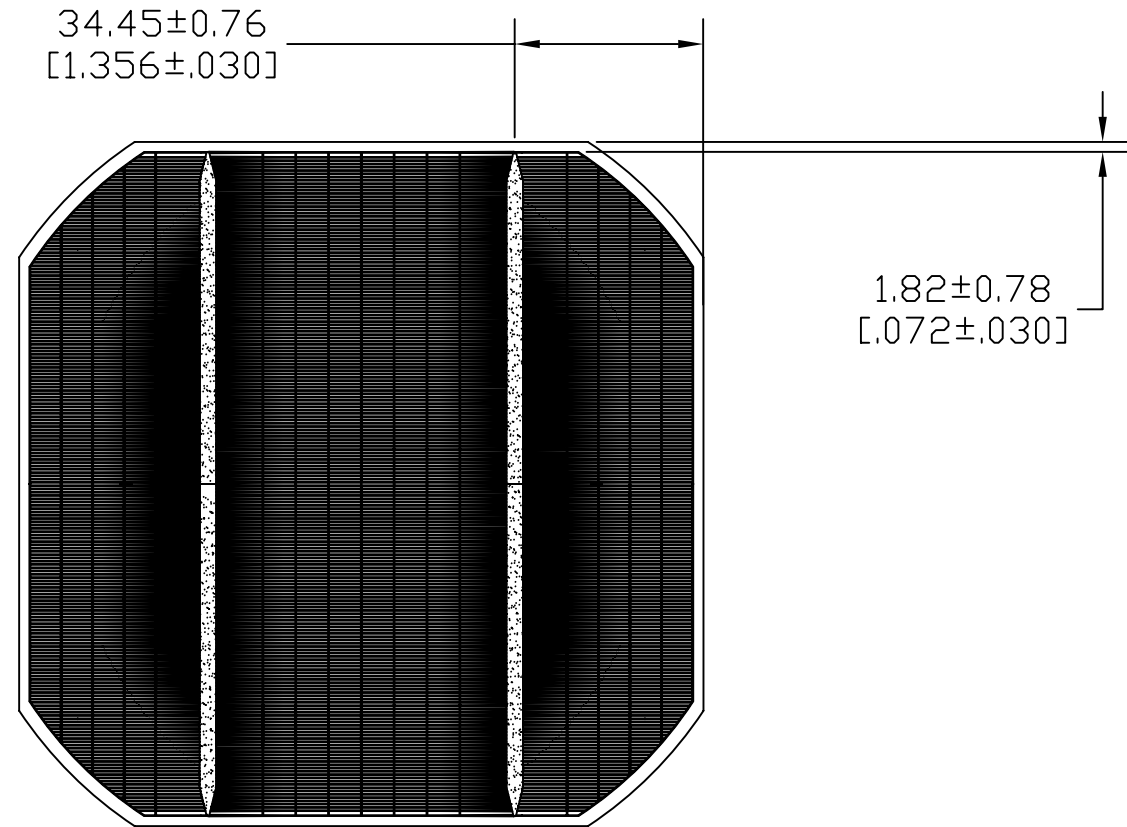
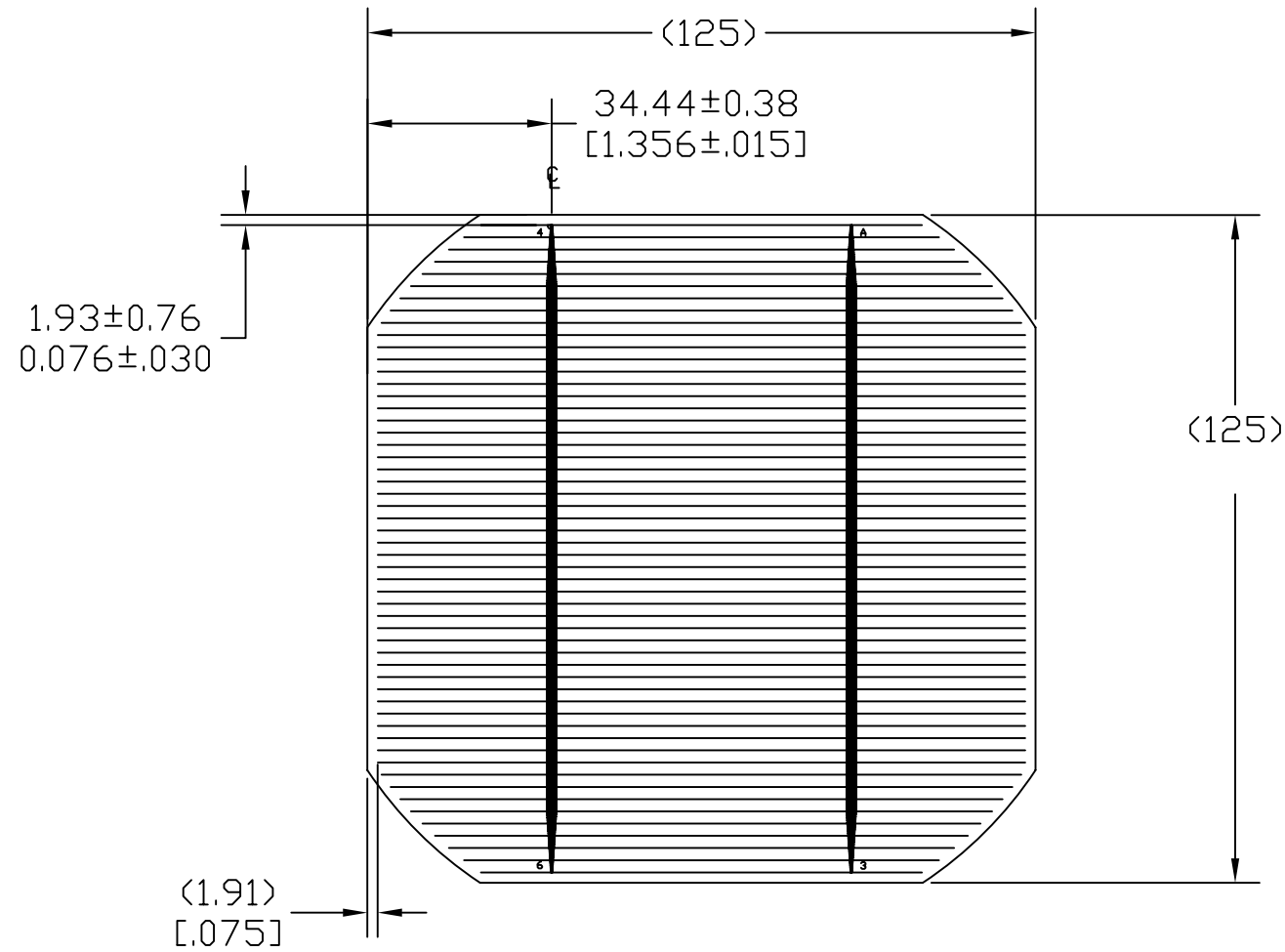


The information depicted on this document is proprietary and the sole property of XXX Solar Industries. Any use or disclosure of this information is expressly prohibited without the written consent of XXX Solar Industries.

REVISIONS				
ZONE	LTR	DESCRIPTION	DATE	APPROVED
	A	INITIAL RELEASE PER ECD 8925	07/05/06	C.F.



6. INSPECT CELL PER SPEC 92-143
5. FOR CELL TYPE, DASH NUMBERS, SCREEN NUMBER AND LABEL CONFIGURATION, REFER TO DWG "CONFIGURATION CONTROL, CELL 125MM" 028986
4. SCREEN TRANSITION IN MFG: +/- 1 WEEKS OF ACTUAL QUARTER CHANGE
3. ONE NUMBER IN THREE CORNERS AND ONE LETTER IN ONE CORNER AS DEFINED BELOW:  
 NUMBER IN UPPER LEFT CORNER - LAST DIGIT OF CELL PART NUMBER  
 LETTER IN UPPER RIGHT CORNER - REVISION LEVEL OF CELL  
 NUMBER IN LOWER LEFT CORNER - YEAR (FOR EXAMPLE 3 FOR 2003, 4 FOR 2004)  
 NUMBER IN LOWER RIGHT CORNER - CALENDAR QUARTER (1 OR 2 OR 3 OR 4)
2. DIMENSIONS IN [ ] ARE INCHES
1. FOR CURRENT BOM REFERENCE ERP DATABASE

NOTES: UNLESS OTHERWISE SPECIFIED

UNLESS OTHERWISE SPECIFIED DIMENSIONS ARE IN MILLIMETERS TOLERANCES ARE: ± FRACTIONS DECIMALS ANGLES 1/X .X .XX .XXX = X XX =		CONTRACT NO.		P.O. BOX 6032 Camarillo, CA 93011		
BREAK ALL SHARP EDGES .010 .030 REMOVE ALL BURRS DIMENSIONS PER ASME Y14.5M		APPROVALS		CELL, 125 x 150 DIA 220 THK		
FINISH		DATE		DRAWING NO. 028984		
DO NOT SCALE DRAWING		DRAFTER M.T. 07/05/06		REV. A		
		DESIGNER M.T. 07/05/06		SCALE: WEIGHT SHEET 1 OF 1		
		ENGINEER C.F. 07/06/06		FSCM NO. CODE		
		APPROVED C.F. 07/06/06		DRAWING NO. 028984		